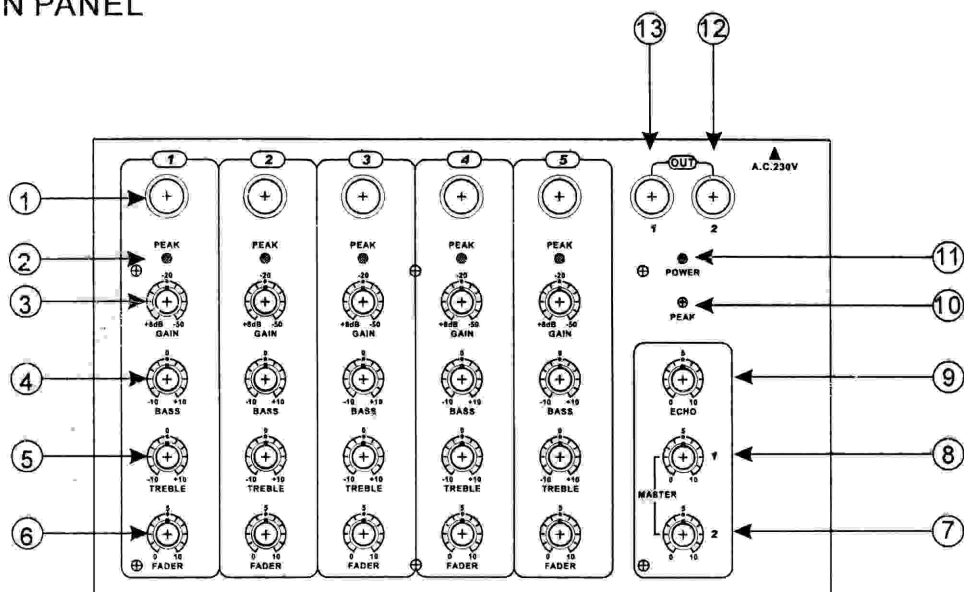


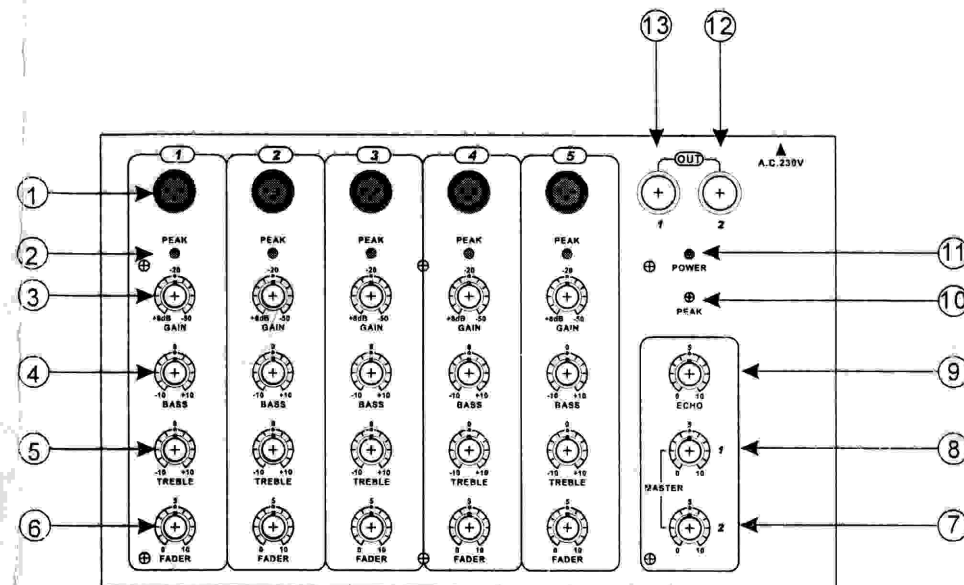
**FUNCTION**

- Audio mini mixer
- five input channels
- Peak indicator of each channel
- Trim knob of each channel
- Bass and treble knobs
- Equaliser in each channel
- Channel gain knob
- Two master outputs
- Echo for master output(MM-5 ECHO only)
- Peak indicator of master

**FRON PANEL**



- 1.Channel input jack(XLR )
- 2.Channel peak indicator
- 3.Channel gain pre-control
- 4.Channel bass control
- 5.Channel treble control
- 6.Channel volume control
- 7.Volume knob of master 1
- 8.Volume knob of master 2
- 9.Echo knob(MM-5 ECHO only)
- 10.Master peak indicator
- 11.Power indicator
- 12.Master output 1 jack(TRS 6.35mm )
- 13.Master output 2 jack(TRS 6.35mm )



**REAR PANEL**



- 14.Power supply switch
- 15.Power supply cable

**SPECIFICATIONS**

Input level:	-40dB to +4dB
Input impedance:	47K ohms
Bass frequency:	100Hz
Treble frequency:	10KHz
EQ range:	-10dB to +10dB
Output level:	0dB
Output impedance:	600 ohms
Power supply:	230V~50Hz